

CONTAINER SPECIFICATION

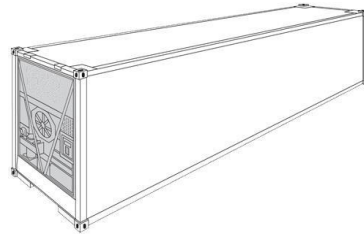
GENERAL PURPOSE CONTAINER



Spec	Length*	Width*	Height*	Door Width	Door Height	Capacity	Tare Weight	Max Cargo
Standard 20'	19.35ft	7.71ft	7.80ft	7.64ft	7.48ft	1,164 cu.ft	4,928 Lbs	48,112 Lbs
	5.90 m	2.35 m	2.38 m	2.33 m	2.28 m	33.00 m ³	2,230 Kgs	21,770 Kgs
Standard 40'	39.39ft	7.71ft	7.80ft	7.64ft	7.48ft	2,372 cu.ft	8,177 Lbs	59,184 Lbs
	12.01 m	2.35 m	2.38 m	2.33 m	2.28 m	67.17 m ³	3,700 Kgs	26,780 Kgs
High Cube 40'	39.39ft	7.71ft	8.82ft	7.71ft	8.50ft	2,679 cu.ft	8,773 Lbs	58,587 Lbs
	12.01 m	2.35 m	2.69 m	2.33 m	2.59 m	75.92 m ³	3,970 Kgs	26,510 Kgs

* Internal measurement

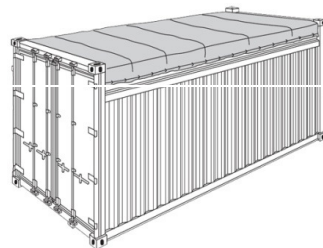
REFRIGERATED CONTAINER



Spec	Length*	Width*	Height*	Door Width	Door Height	Capacity	Tare Weight	Max Cargo
Reefer 20'	17.81ft	7.48ft	7.41ft	7.41ft	7.28ft	989 cu.ft	7,072 Lbs	45,968 Lbs
	5.43 m	2.28 m	2.26 m	2.26 m	2.22 m	28.00 m ³	3,200 Kgs	20,800 Kgs
Reefer 40'	37.69ft	7.45ft	7.21ft	7.48ft	7.08ft	2,027 Cft	10,829 Lbs	57,415 Lbs
	11.49 m	2.27 m	2.2 m	2.28 m	2.16 m	57.4 m ³	4,900 Kgs	25,580 Kgs
Reefer 40' High Cube	37.92ft	7.51ft	8.20ft	7.51ft	8.00ft	2,338 Cft	9,945 Lbs	57,416 Lbs
	11.56 m	2.29 m	2.50 m	2.29 m	2.44 m	66.2 m ³	4,500 Kgs	25,980 Kgs

* Internal measurement

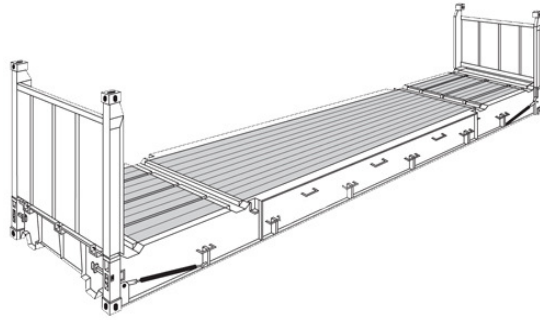
OPEN TOP CONTAINER



Spec	Length*	Width*	Height*	Door Width	Door Height	Capacity	Tare Weight	Max Cargo
20' Open Top	19.35ft	7.58ft	7.71ft	7.51ft	7.15ft	1,131 cuft	5,304 Lbs	47,736 Lbs
	5.90 m	2.31 m	2.35 m	2.29 m	2.18 m	32.03 m ³	2,400 Kgs	21,600 Kgs
40' Open Top	39.46ft	7.71ft	7.71ft	7.68ft	7.45ft	2,345 cu.ft	8,508 Lbs	58,852 Lbs
	12.03 m	2.35 m	2.35 m	2.34 m	2.27 m	66.44 m ³	3,850 Kgs	26,630 Kgs

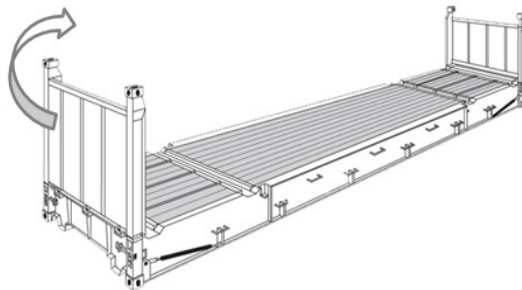
* Internal measurement

FLAT RACK CONTAINER



Spec	Length overall	Width	Height	Tare Weight	Max Cargo
Flat Rack 20'	18.40ft	7.31ft	7.31ft	5,591 Lbs	61,265 Lbs
	5.61m	2.23m	2.23m	2,530 kgs	27,722 kgs
Flat Rack 40'	39.56 ft	7,31ft	7,31ft	12,108 Lbs	86,008 Lbs
	12.06m	2.23m	2.23m	5,479 kgs	38,918 kgs

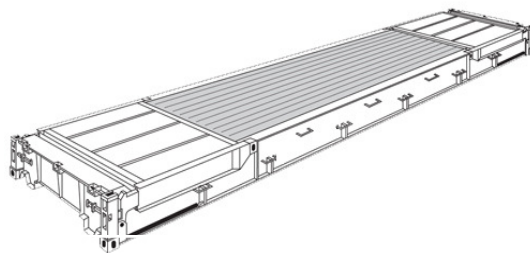
FLAT RACK COLLAPSIBLE CONTAINER



Spec	Length overall	Width	Height	Tare Weight	Max Cargo
Flat Rack 20'	18.47ft	7.31ft	7.31ft	6,075 Lbs	61,265 Lbs
	5.63m	2.23m	2.23m	2,749 kgs	27,722 kgs
Flat Rack 40'	39.56 ft	7,31ft	7,31ft	12,818 Lbs	86,008 Lbs
	12.06m	2.23m	2.23m	5,800 kgs	38,918 kgs

* Internal measurement

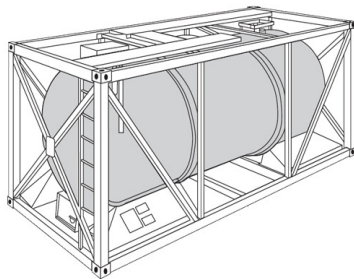
PLATFORM CONTAINER



Spec	Length	Width	Height	Tare Weight	Max Cargo
Platform 20'	19.91ft	7.97ft	7.31ft	6,075 Lbs	53,024 Lbs
	6.07 m	2.43 m	2.23m	2,749 Kgs	23,993 Kgs
Platform 40'	39.98ft	7.97ft	6.40ft	12,814 Lbs	66,559 Lbs
	12.19 m	2.43 m	1.95 m	5,798 Kgs	30,117 Kgs

* Internal measurement

TANK CONTAINER



Spec	Length*	Width*	Height*	Capacity	Design Temperature	Tare Weight	Max Cargo
20' Tank Container	19.88ft	8.00ft	8.50ft	24,000 litres	-20 °C to 130 °C	7,480 Lbs	72,079 Lbs
	6.06 m	2.44 m	2.59 m			3,385 Kgs	32,615 Kgs

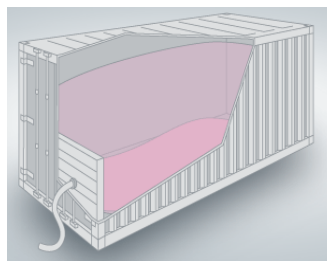
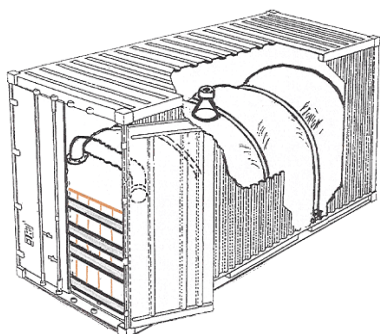
* : Overall dimensions

Remarks :

The average specifications above are given as a guide only. Great variations can be found between series and makes.

MISCELLANEOUS TYPES OF PACKAGING

FLEXITANK



Liquid transported

Liquid Oils, Chemicals, Food Edible Oils ,Natural Latex, Tall oil fatty acid, Palm Oils, Coco Nuts Oils and Bio Fuel

Volume

From 10,000 up to 28,000 litres.

Filling volume always depends on the density if the transported liquid.

The filling wight should not add up to more than 25 tons.

Specifications

Details

Inner Layers

Descriptions

4 x 125µm Polyethylene + eventually 1 x 100µm, barrier film, optionally PA, EVOH or Aluminium. All layers are welded 3 times.

Other inner layers can be used in order to fullfil compatibility with certain products.

Outer layers with woven PP fabric

174 gr/sqm woven PP fabric + 30 gr/sqm laminated inside with PE.

Tensile strength of the woven PP: approx. 2,000 kg/sqm

DRYBULK INLINER



These container liners are used in bulk, open, top and standard box containers. These container liners are made of transparent or conductive PE-film (patented by BSV), and out of different laminated barrier films or woven PP.

Specifications

Details

Sizes

Descriptions

from 20 ft up to 52 ft

INTERMEDIATE BULK CONTAINER (IBC)



An Intermediate bulk container (IBC) is a container used for transport and storage of fluids and bulk materials. IBC's range in size but are generally between 700 and 2,000 mm (27.6 and 78.7 in) or 46 to 52 in (1,168 to 1,321 mm) in height. The length and width of an IBC is usually dependent on the pallet dimension standard of a given country.

BCs may have pallet-like bases so that forklifts can move them. IBCs in almost all cases can be stacked vertically.

Specifications

Details	Descriptions
Nominal Volume	1,000 litres
Length	1,200 mm
Width	1,000 mm
Height	1,165 mm
Weight	58 - 65 kg, depending on design
Material	High molecular polyethylene
Design	Wooden pallet Hybrid pallet UN rated or standard IBC Plastic pallet Steel pallet
Option	Explosion protected, 225 mm filler hole, 3" drain cock

STEEL DRUM



Steel drums are a rugged, dependable and environmentally friendly solution for the containment, storage and transportation of any hazardous or non-hazardous materials.

Specifications

Details	Descriptions
Volume	approx. 200 - 205 litres
Diameter	585 mm
Height	884 mm
Weight	approx. 19.0 kg depending on design
Options	Suitable for container Lined or unlined corrosion-resistant interiors Closed-head or open-head drums Bolt rings or lever lock rings or open-head drums UN-rated or standard drums Shipment sizes ranging from small quantities to truckloads Variety of fittings available